



## **Holding solenoid** Type eD1475 (explosion-proof)

The eD1475 serves to seize fire and smoke protection doors. The gray cast casings protect the device against overheating by conducting away the warmth developed by the holding solenoid. The weatherproof encapsulation also fulfils the IP 66 standard for Ex protection. The eD1475 is rated for 24 volt DC voltage. The standard version works with 3 watts - custom variations can also be created with higher capacities. The holding solenoid come in two versions: 50 and 70 mm in diameter. Anchor plates in various sizes are also optionally available.

# Holding solenoid

## Type eD1475



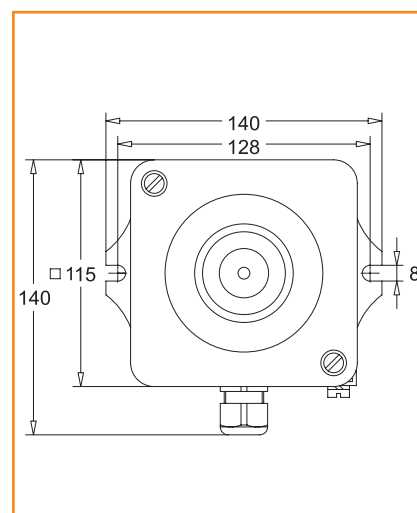
### Technical data

|                           |                                                            |
|---------------------------|------------------------------------------------------------|
| Storage temperature       | -40°C - +70°C                                              |
| Operating temperature     | -20°C - +40°C                                              |
| Casing enclosure          | IP 66                                                      |
| Ignition protection class | Ex II 2G Ex e mb IIC T6 Gb<br>Ex II 2D EX Tb IIIC T73°C Db |
| Type approval             | TÜV 01 ATEX 1778 X                                         |
| Operating voltage         | 24 V DC                                                    |
| Material                  | Gray cast iron                                             |

### Type    Ø    Adhesive force    Current    Power    Order no.

|           |       |               |        |     |       |
|-----------|-------|---------------|--------|-----|-------|
| eD 1475/5 | 50 mm | 60/588 kp/N   | 125 mA | 3 W | 37.02 |
| eD 1475/7 | 70 mm | 160/1568 kp/N |        |     | 37.22 |

### Dimensioned drawing



#### Dimensions

115 (length) x 115 (width) x 108 (height) mm

#### Cable gland:

1 x M20 x 1,5 (Ø 6-12 mm)

#### Weight:

approx. 4 kg