



Custom telephones

Type A24ZB/AL-Basic
+ Type A240B-A240BL

The custom A24ZB/AL and A240B telephones offer the same casing characteristics as the A24. We also produce other industrial telephones based on your requirements.

The weatherproof A24ZB/AL-Basic can be connected to any standard telecommunications equipment. Using the internal programming keyboard, the A24ZB/AL-Basic can be converted into an alarm telephone. The programmed phone number is automatically dialed as soon as the handset is picked up.

The A240B is used to configure autonomous telephone lines - up to ten separate ones can be connected to one another using the A240BL. The integrated energy saver mode greatly increases the service life of the battery.

Custom telephones (without keypad)

Type A24ZB/AL-Basic + A24OB/A24OBL



Technical data	
Storage temperature	-40°C - +70°C
Operating temperature	-20°C - +55°C
Relative humidity	max 95%
Casing enclosure	IP 66
Connection terminals	clamping range 0,5-2,5mm ² single, multi and fine wire
Cable gland	M16, Ø 5-10 mm Dummy plugs: 1 x M12, 1 x M16 Handset: M12Flex, Ø 3-6,5 mm
Material	Casing: polyamide

Type A24OB + A24OBL	
Tone signalling	Piezo signalling, 60dB(A) at 1 m distance
Call generator	Output voltage 42 V/50 Hz Sine
Functions	Call voltage generator, energy saving mode, battery monitoring, volume control for call tone
Battery	4 x 1,5 V C-cell alkaline batteries LR 14 (preferably Duracell, temp. to -20°C)
Connection	OB = La, Lb and W2 OBL = La, Lb1 to Lb10 and W2

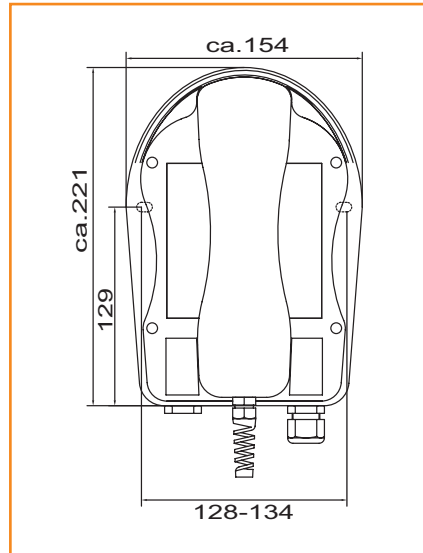
Type A24ZB/AL-Basic	
Dialling modes	DTMF
CE conformity	EN 50081, EN 50082, EN 60950, access based on CTR21
Tone signalling	60dB(A) - 90dB(A) at 1 m distance
Connection	analogue 2-core to La and Lb

OB Telephones	Order no.
A24OB with spiral handset cord	01.21000
A24OB with stainless steel handset cord	01.22000
A24OBL as final selector with spiral handset cord	01.31000
A24OBL as final selector with stainless steel handset cord	01.32000

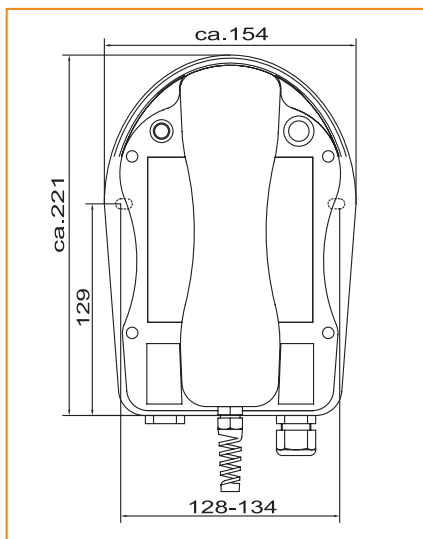
ZB telephones/alarm telephones	Order no.
A24ZB/AL-Basic with spiral handset cord	01.11000
A24ZB/AL-Basic with stainless steel handset cord	01.12000

Customer-specific telephones (e.g. emergency, railway and tunnel telephones) by request

Dimensioned drawing: A24ZB/AL-Basic



Dimensioned drawing: A24OB/A24OBL



Dimensions:
221 (height) x 154 (width) x 105 (depth) mm

Distance between holes for mounting:
128-134 mm

Weight:
OB, OBL approx. 1,5 kg
ZB, AL approx. 1,25 kg

Subject to change. Errors excepted - A24ZB/AL 10.17