



Lighted display
Type LT7017EX
(explosion-proof)

The lighted display LT7017EX is designed for the application as warning sign in explosion hazard areas. The illumination is ensured by 28W LED. The casing consists of a glass fibre reinforced polyester resin and a transparent, yellow-toned cover made of polycarbonate. Individual customer-specific labels allow the use in several explosion-prone areas. The lighted display is suitable for wall mounting.

Lighted display

Type LT7017EX



Technical data

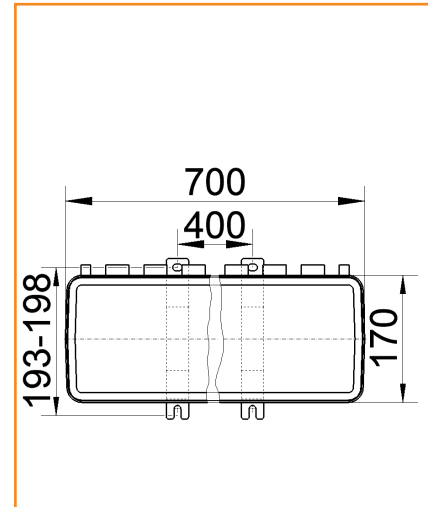
Voltage	AC 220 - 240V ± 10%; 50 - 60 Hz DC 200 - 250V ± 10 %
Ignition protection class	Ⓔ II 2 G Ex d e op is IIB T4 Gb Ⓔ II 2 D Ex tb IIIC T100°C Db
Protection	IP 66 / IP 67 (IEC-60598)
Operating temperature	-30°C - +55°C Lamps without through-wiring -30°C - +50°C Lamps with through-wiring
Storage temperature	-30°C - +75°C
Connection terminals	0,75-4 mm ²
Cable gland	2 x screwing M25x1,5, 1 x plug M25x1,5 enclosed

Model

Model	Order no.
LED-execution, Zone I, with mounting rail, 230V, 28W Text/Pictogram: to customer specification	18.12000
LED-execution, Zone I, with mounting rail, 230V, 28W Text/Pictogram: „Löschanlage ausgelöst“ „Raum nicht betreten“	18.12111
LED-execution, Zone II	on request
execution: fluorescent lamp	on request
climate socket*	1812000.01.004

*For outdoor installation is recommended a climate socket.

Dimensioned drawing



Dimensions:

700 (length) x 198 (height) x 125 (depth) mm
143 (depth) mm incl. mounting rail

Distance between holes for mounting:

400 mm x 193 - 198 mm

Weight:

approx. 4,5 kg without mounting rail