



Lighted panel Type LT/LED (weatherproof)

The weatherproof illuminated panel LT/LED informs your employees about hazardous situations in different areas. The illuminated panel is equipped with Power-LEDs and the warning notice is only visible if the illuminated panel is switched on. As a special solution we are able to provide the illuminated panel with different-coloured and single-switchable LED rows. The warning notice and the colour of the covering plastic film could be realized customer-specific. Therefore the illuminated panel LT/LED is usable in a big field of applications. The casing is weatherproof according to IP 65.

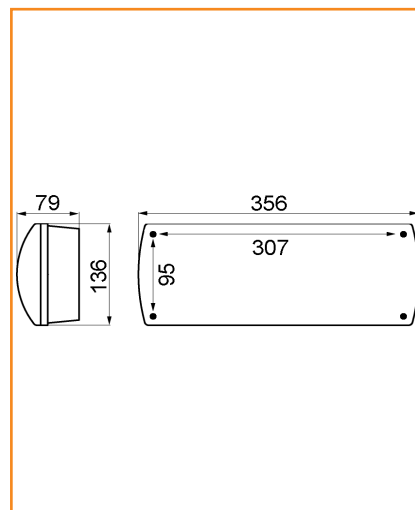
Lighted panel

Type LT/LED



Technical data	
Voltage	230 V AC 24 V DC
Storage temperature	-30°C - +60°C
Operating temperature	-25°C - +55°C
Casing enclosure	IP 65
Electrical data	230 VAC Version 24 VDC Version
Operating voltage	180 - 254 VAC 18 - 30 VDC
Operating current	110 mA max 500 mA
Dissipation power	16W 12 W
Terminal	0,08-2,5 mm ²
Cable entries	3 x Ø 5 - 9 mm 1 x climate membrane
Material	PC

Dimensioned drawing



Dimensions:

136 (length) x 356 (width) x 79 (height) mm

Distance between holes for mounting:

307 x 95 mm

Weight:

850 g

Model	Order no.
230 V AC	18.40
230 V AC bicoloured green/red	18.41
24 V DC	18.50
24 V DC bicoloured green/red	18.51
Sun-protection cover	18.47