



Switch and button Type K64 (intrinsically safe)

The K64 is produced to be highly durable and is therefore particularly trusted for mining use. Beyond the large selection of standard switches, upon request we will gladly provide you with individualised switches to meet your requirements. To signalise switch conditions, the K64 can be combined with our own installed LED solutions, the LD1 and LD3.

Switch and button

Type K64



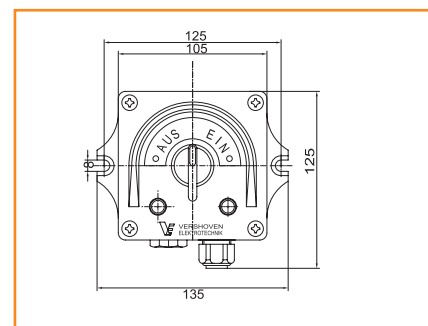
Order no.	Type	Cover colour	Contacts	Type of contact	Inscription
57.02 <input type="checkbox"/> <input type="checkbox"/> <input type="checkbox"/>	Push buttons black	blue	pushing	1no + 1nc	
57.30 <input type="checkbox"/> <input type="checkbox"/> <input type="checkbox"/>	Turn switch 2 positions 90°	blue	latching	1no + 2nc	On/Off
57.32 <input type="checkbox"/> <input type="checkbox"/> <input type="checkbox"/>	Selection switch 3 positions 45°	blue	latching	2no + 2nc	On/Off
57.33 <input type="checkbox"/> <input type="checkbox"/> <input type="checkbox"/>	Selection switch 2 positions 45°	blue	M latching + L+R latching	2no + 2nc	On/Off
57.50 <input type="checkbox"/> <input type="checkbox"/> <input type="checkbox"/>	Key-operating switch 2 positions 90°	blue	latching can be drawn to the left	1no + 2nc	On/Off
57.70 <input type="checkbox"/> <input type="checkbox"/> <input type="checkbox"/>	Selection switch without neutral position	blue	latching	3S A230	I - 2 - 3
57.80 <input type="checkbox"/> <input type="checkbox"/> <input type="checkbox"/>	Selection switch without neutral position	blue	latching	3U A222	I - II
57.81 <input type="checkbox"/> <input type="checkbox"/> <input type="checkbox"/>	Selection switch without neutral position	blue	latching	4U A723	I - II
57.01 <input type="checkbox"/> <input type="checkbox"/> <input type="checkbox"/>	Mushroom head push button black	blue	latching	1no + 2nc	
57.10 <input type="checkbox"/> <input type="checkbox"/> <input type="checkbox"/>	Mushroom head push button red lock release button	yellow	latching	2no + 1nc	Emergency Off
57.20 <input type="checkbox"/> <input type="checkbox"/> <input type="checkbox"/>	Mushroom head push button red twisting release	yellow	latching	2no + 1nc	Emergency Off
57.54 <input type="checkbox"/> <input type="checkbox"/> <input type="checkbox"/>	Mushroom head push button red key-activated release	yellow	latching	2no + 1nc	Emergency Off

LED Type	Voltage	LED colour
<input type="checkbox"/> 1 LD1 (in cover).	<input type="checkbox"/> 0 2,5 V	<input type="checkbox"/> 1 yellow
<input type="checkbox"/> 3 LD3 (in casing)	<input type="checkbox"/> 3 12 V	<input type="checkbox"/> 2 green
<input type="checkbox"/> 0 no LED	<input type="checkbox"/> 4 24 V	<input type="checkbox"/> 3 red
	<input type="checkbox"/> 1 as last member	<input type="checkbox"/> 4 clear
		<input type="checkbox"/> 5 blue

Example no. 57.10313

Technical data	
Storage temperature	-25°C - +65°C
Operating temperature	-20°C - +55°C
Casing enclosure	IP 66
Ignition protection class	Ex I M2 Ex ia I
Type approval	DMT 02 ATEX E 160
Electrical data	Only intrinsically safe circuits max 60 V AC/3 A - 60 V DC/0,5 A
LEDs	DMT 02 ATEX E 159

Dimensioned drawing



Dimensions:

105 (length) x 105 (width) x 110 (height) mm

Distance between holes for mounting:

125 mm

Cable gland:

1 x M20 x 1,5 (Ø 10-14 mm)

1 x M20 dummy plugs

Weight:

approx. 0,45 - 0,65 kg