

Built-in LEDs
Type LD1 + LD3
(intrinsically safe)

If operational and switching statuses are to be reported optically, then the built-in LD1 and LD3 LEDs are the ideal solution. They may only be installed into intrinsically safe switch casings, connection boxes and distributors and are exclusively intended for mining operations. They can also be delivered as last members for inspection and monitoring of intrinsically safe control lines.

Type wdLD3
(weatherproof)

The weatherproof built-in LED is particularly intended for moist and dusty environments. Construction and optional equipment corresponds to the LD3 LED.

Built-in LEDs (intrinsically safe)

Type LD1, LD3

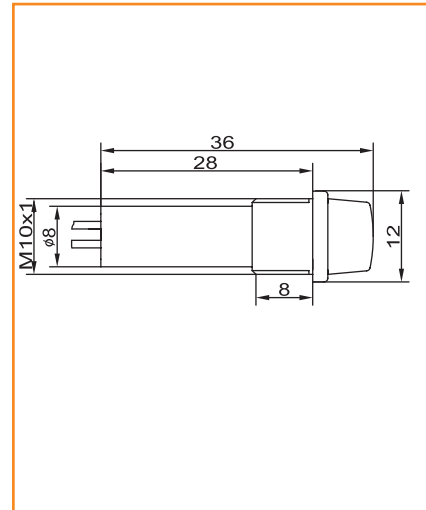


Technical data

Operating temperature	-20°C - +55°C
Ignition protection class	Ex I M2 Ex ia I
Type approval	DMT 02 ATEX E 159

Order no.	LED Type	Voltage	LED colour
16.01	1 LD1 (M10 x 1)	0 2,5 V	1 yellow
		3 12 V	2 green
	3 LD3 (PG 13,5-10mm long)	4 24 V	3 red
		1 last member + centre tap	4 clear
	5 LD3 (PG 13,5-20mm long)		5 blue

Dimensioned drawing: LD1



Built-in LEDs (weatherproof)

Type wdLD3

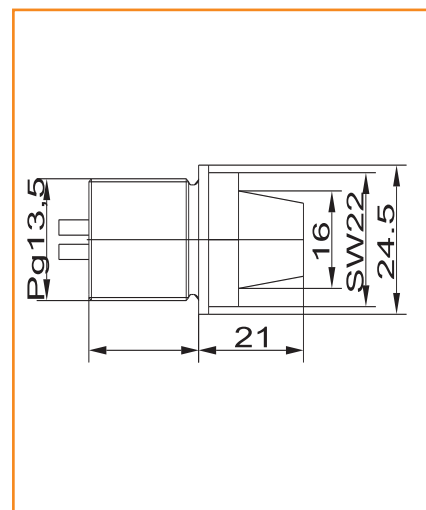


Technical data

Operating temperature	-20°C - +55°C
Protection	IP 66

Order no.	Type	Voltage	LED colour
27.4	wd LD3 (PG 13,5-20mm long)	1 12 V DC	1 yellow
		2 24 V DC	2 green
		4 110 V AC/DC	3 red
		5 230 V AC/DC	4 clear
			5 blue

Dimensioned drawing: LD3



Subject to change. Errors excepted - LD1 11.17