



## Gateway lamp

Type D64/T  
(intrinsically safe)

The D64/T was specially developed for underground mining work. The gateway lamp has a high luminosity and signals very visibly the status of a gateway. The black casing is made of antistatic plastic. The blue cover is made of ABS.

Type D65/T  
(intrinsically safe)

The weatherproof D65/T gateway lamp is suited above all for dusty and moist environments. It possesses a very high luminosity, providing clear indication of a gateway's status. The gray casing is made of ABS plastic.

# Gateway lamp (intrinsically safe)

## Type D64/T

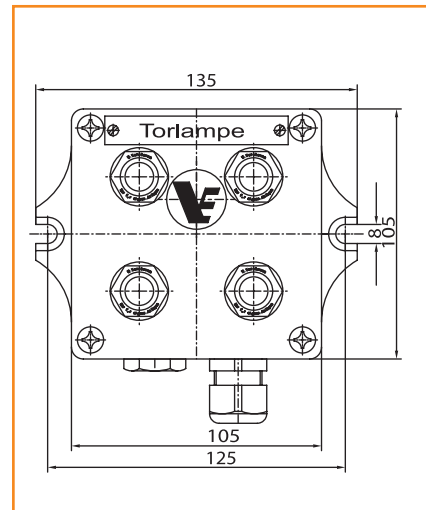


### Technical data

Operating temperature	-20°C - +55°C
Ignition protection class	Ex I M2 Ex ia I
Type approval	DMT 02 ATEX E 160

Order no.	Type	Spherical cap colour	Voltage
57.90001	D64/T	yellow	12 V DC
57.90002		green	12 V DC
57.90003		red	12 V DC
57.90011		yellow	24 v DC
57.90012		green	24 V DC
57.90013		red	24 V DC

### Dimensioned drawing



#### Dimensions:

105 (length) x 105 (width) x 108 (height) mm

#### Cable gland:

M20 x 1,5 (Ø 5-10 mm)

#### Weight:

approx. 550 g

# Gateway lamp (weatherproof)

## Type D65/T



### Technical data

Operating temperature	-20°C - +55°C
Protection	IP 66

Order no.	Type	Spherical cap colour	Voltage
58.80001	D65/T	yellow	12 V DC
58.80002		green	12 V DC
58.80003		red	12 V DC
58.80011		yellow	24 v DC
58.80012		green	24 V DC
58.80013		red	24 V DC
58.80061		yellow	110 V AC/DC
58.80062		green	110 V AC/DC
58.80063		red	110 V AC/DC
58.80071		yellow	230 V AC/DC
58.80072		green	230 V AC/DC
58.80073		red	230 V AC/DC