



## Pressure Switch Type C72/C (intrinsically safe)

The intrinsically safe C72/C pressure switch monitors the pressure from fluids and gases in explosive environments. To that end the upper and lower switching points can be separately adjusted. The inner threads of the pipe connection measures G 3/8».

# Pressure switch

## Type C72/C



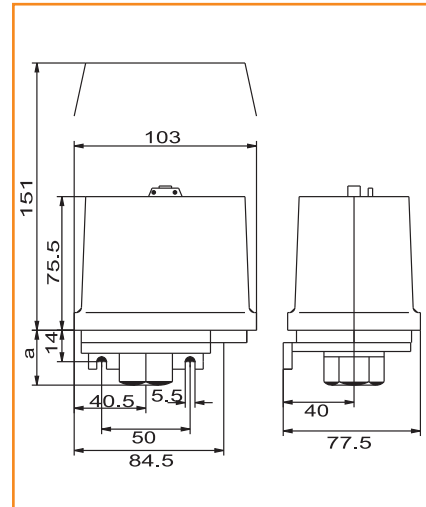
### Technical data

Storage temperature	-40°C - +70°C
Operating temperature	-20°C - +40°C
Casing enclosure	IP 54
Ignition protection class	Ex II 2G Ex ia II C T6 Gb
Type approval	BVS 03 ATEX E 27
Electrical data	30 V/2,5 A
Pressurised connection	G 3/8"

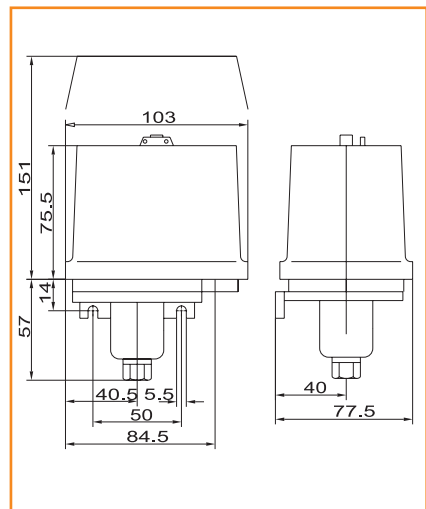
### Industrial

Order no.	Type	Cutting-off pressure (bar)	
		upper	lower
33.50	C72 - C/2	0,11 to 2	0,04 to 1,89
33.51	C72 - C/4	0,22 to 4	0,07 to 3,75
33.52	C72 - C/8	0,5 to 8	0,2 to 7,5
33.53	C72 - C/16	1 to 16	0,4 to 15
33.54	C72 - C/32	2 to 32	0,8 to 30
33.55	C72 - C/60	8 to 60	4 to 52
33.56	C72 - C/120	16 to 120	8 to 104
33.57	C72 - C/250	30 to 250	14 to 226

### Dimensioned drawing: up to 32 bar



### Dimensioned drawing: 60-250 bar



#### Dimensions:

221 (length) x 154 (width) x 105 (height) mm

#### Cable gland:

M20 x 1,5

#### Weight:

approx. 1,95 kg