



Pressure Switch

Type C72/B

(intrinsically safe)

In explosive mining environments, the C72/B monitors fluid and gas pressures. For this intrinsically safe pressure switch, the upper and lower switching points can be set separately. The inner threads of the pipe connection measures G 3/8».

Pressure switch (intrinsically safe)

Type C72/B

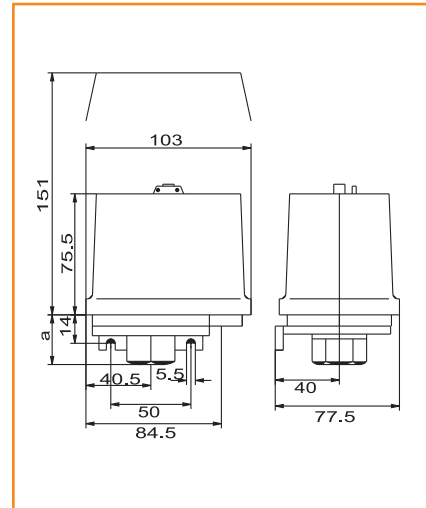


Technical data

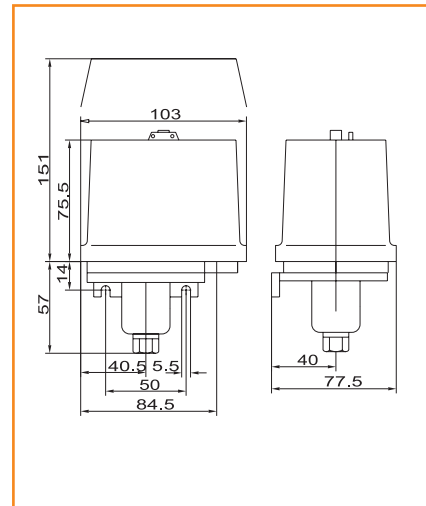
Storage temperature	-40°C - +77°C
Operating temperature	-30°C - +60°C
Ignition protection class	Ex I M2 Ex ia I Mb
Type approval	BVS 03 ATEX E 274
Electrical data	30 V/2,5 A
Pressurised connection	G 3/8"

Order no.	Type	Cutting-off pressure (bar)	
		upper	lower
33.40	C72 - B/2	0,11 to 2	0,04 to 1,89
33.41	C72 - B/4	0,22 to 4	0,07 to 3,75
33.42	C72 - B/8	0,5 to 8	0,2 to 7,5
33.43	C72 - B/16	1 to 16	0,4 to 15
33.44	C72 - B/32	2 to 32	0,8 to 30
33.45	C72 - B/60	8 to 60	4 to 52
33.46	C72 - B/120	16 to 120	8 to 104
33.47	C72 - B/250	30 to 250	14 to 226

Dimensioned drawing: up to 32 bar



Dimensioned drawing: 60-250 bar



Dimensions:

221 (length) x 154 (width) x 1085 (height) mm

Cable gland:

Ø 7-14 mm

Weight:

approx. 1,95 kg

Subject to change. Errors excepted - C72/B 11.17