



**Emergency switch
with glass panel**
Type C65/G
(weatherproof)

The waterproof C65/G emergency switch was developed based on the IP 66 protection standard. It is particularly well suited for publicly accessible areas, since the switch is protected against unintentional activation by a replaceable glass panel. The C65/G possesses a durable, thick-walled and shock-proof plastic casing. The emergency switch is also outfitted with a tall cylindrical shroud.

Emergency switch with glass panel

Type C65/G



Order basis	Casing colour	Index no	Roof colour	Index no	Switch type	Contacts	Type of contact
82 →	red	1 →	gray	1 →	Mushroom button black	pushing	2no + 2nc
83 →	grau	2 →	rot	3 →	Mushroom button Twist release red	latching Emergency Off	240 V AC 10 A
		3 →	yellow	4 →	Mushroom button Key release red		

Technical data

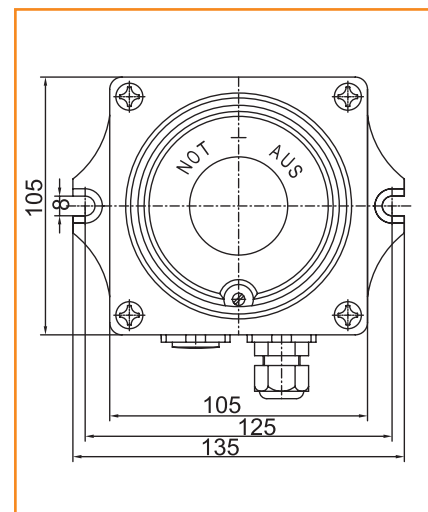
Storage temperature	-40°C - +70°C
Operating temperature	-20°C - +40°C
Casing enclosure	IP 66
Electrical data	240 V AC/10 A

Accessories

Emergency hammer with holding clip

Order no. 54.39

Dimensioned drawing



Dimensions

105 (length) x 105 (width) x 125 (height) mm

Distance between holes for mounting:

125 mm

Cable gland:

2 x M20 x 1,5 (Ø 6-12 mm)

Weight:

approx. 800 g