



Manual fire alarm Type C31

The C31 can be used outside and in moist spaces as a surface mount. The highly flame resistant plastic casing is UV resistant. The easily replaceable glass panels consist of colourless thin sheet glass. The alarm button is locked as soon as it is pressed, and can only be reset using the covered reset lever. The C31 is available in the standard colours red, yellow or blue. By request we will also deliver this manual fire alarm in other colours.

Manual fire alarm

Type C31

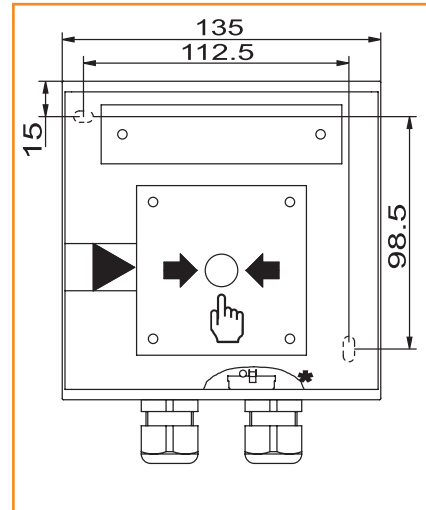


Technical data	
Storage temperature	-40°C - +70°C
Operating temperature	-35°C - +60°C
Casing enclosure	IP 66
Type approval	red VDS G 206113 / 0786-CPD-20309 yellow VDS G 207079 / 0786-CPD-20310 blue VDS G 207099 / 0786-CPD-20311
Contact rating	0,5-30 V/0,1 A
LED rating	5-15 mA
Connection terminals	0,08-2,5 mm ²
Material	PC

Model	Order no.
change over contact	55.11 <input type="checkbox"/>
threshold fire alarm system (without LED)	55.13 <input type="checkbox"/>
red = 0 /yellow = 1 /blue = 2 /green = 3 /orange = 4	<input type="checkbox"/>
(with LED)	<input type="checkbox"/>
red = 5 /yellow = 6 /blue = 7 /green = 8 /orange = 9	<input type="checkbox"/>
Metal key for front door	50.18001
Glass panel 10 pc./PU	5111000.03.40B2

Spring button warning device available on request.

Dimensioned drawing



Dimensions:

135 (length) x 135 (width) x 61 (height) mm

Cable gland:

2 x M20 x 1,5, Ø 6-12 mm

Weight:

approx. 475 g