

## Connection Relay Type ASR/IP + Type ASR/SIP

With the connection Relay you can switch different appliances in modern SIP- and IP- networks. Specially user-optimized is the set up with the web interface. Power is supplied via PoE or externally with 48V.

Moreover the IP-version combined with our VoIP-telephone can be operated without an extra SIP-account. There are 3 options for comfortable controlling of the IP-version. It can be easily controlled via the web browser, a windows program or automated via a windows command line batch.

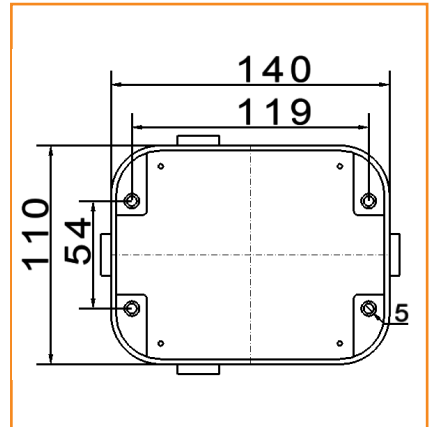
# Connection Relay

Type ASR/IP + Type ASR/SIP



Technical data	
Storage temperature	-40°C - +70°C
Operating temperature	-40°C - +60°C
Casing enclosure	IP66 / EN 60529
CE conformity	EN 60950, EN 61000, EN 60947-1
Switching voltage	230V AC
Switching capacity	3000va 7 AC1 (resistive load)
Networking	RJ 45 socket / 10MBit
Power supply	PoE 802.3 af / 48 V <sub>DC</sub>
Input	approx. 0,8W hibernation both relays connected max. 1,7W

## Dimensioned drawing



### Dimensions:

140 (length) x 110 (width) x 62 (depth) mm

### Weight:

approx.. 500 g

Model	Order no.
Interfacing with 2 relays SIP	06.13000
Interfacing with 2 relays IP	06.14000